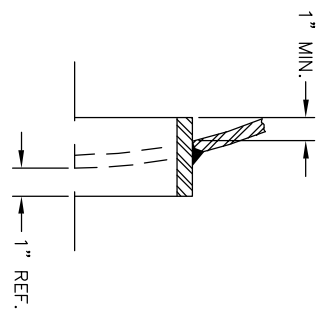
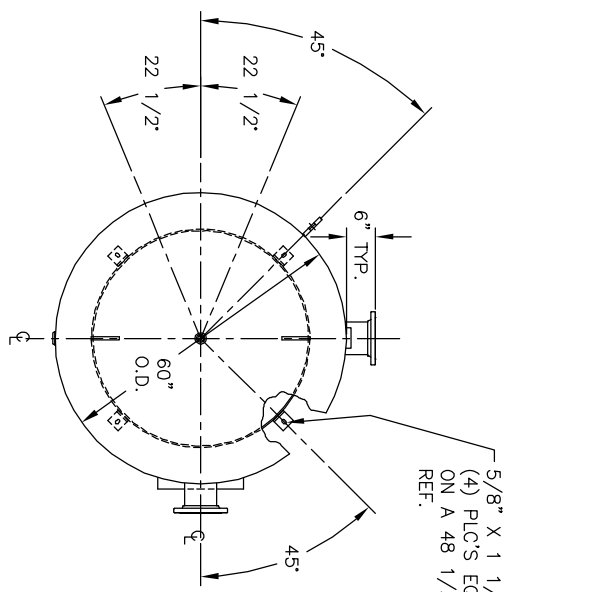


6" NOZZLE DETAIL

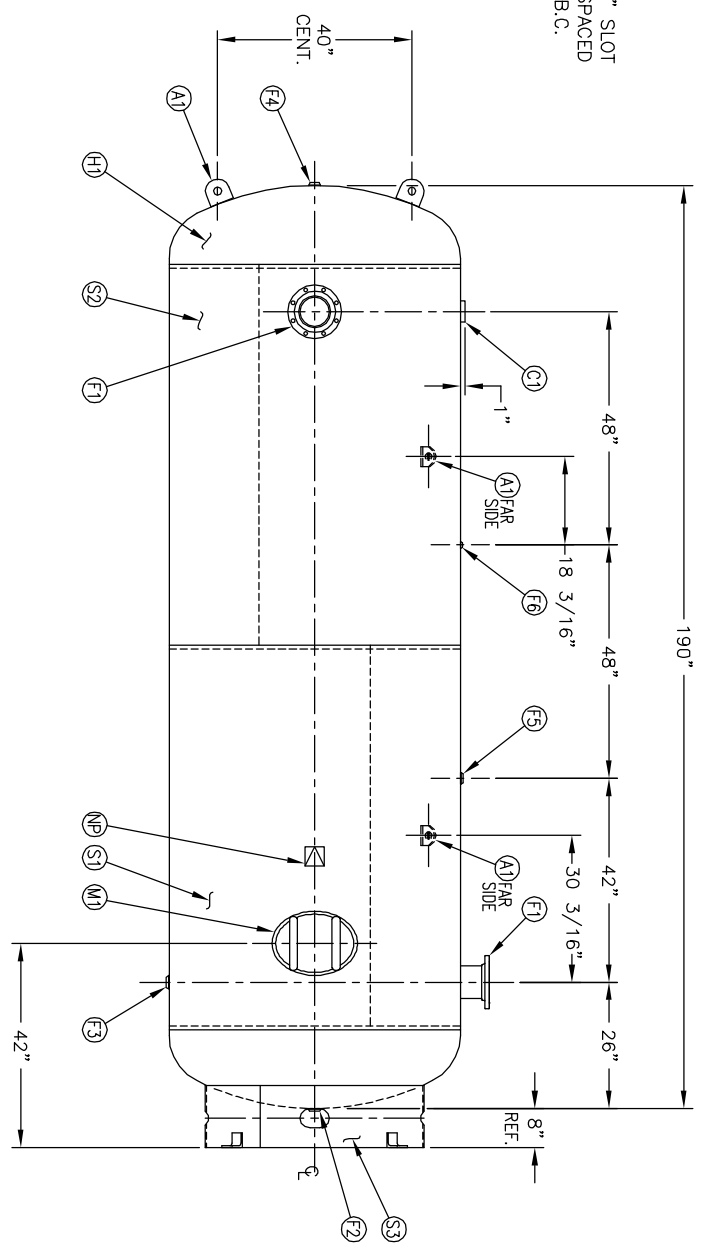


MANWAY DETAIL

NO. QTY	DESCRIPTION	SPEC	SUB-DWG.
S1 1			
S2 1			
H1 2			
F1 2	6" 150# ANSI RF. SO. FLANGE	SA-105	
F1 2	6" S/80 PIPE X 7 1/2" LONG	SA-106-B	
F1 2	.134 X 8 5/8" O.D. X 6 5/8" I.D. BACKING RING	C1008/SA-36	
F2 1	1 1/4"-NPT 1500# FLAT FLANGE	SA-181-70	
F3 1	1 1/4"-NPT 1500# RADIAL FLANGE	SA-181-70	
F4 1	1"-NPT 1500# FLAT FLANGE	SA-181-70	
F5 1	1"-NPT 1500# RADIAL FLANGE	SA-181-70	
F6 1	1/4"-NPT 1500# FLAT FLANGE	SA-181-70	
C1 1	3"-NPT 3000# HALF COUPLING	SA-105	
M1 1	12" X 16" X 3/4" X 4" 300# MANWAY	SA-106-C	
A1 4	3/4" X 5" X 5" STANDARD LIFT LUG		A84524
S3 1	STANDARD 8" BASERING ASSEMBLY FOR 60" DIA.		A85012
NP 1	ASME DATA PLATE	C1010	



5/8" X 1 1/16" SLOT  
(4) PLCS. EQ. SPACED  
ON A 48 1/2" B.C.  
REF.



REV	DATE	BY	REVISION	APP	REF	REV	NOTES	SPECIFICATIONS
A		EGB		TA	JR	AMA		O.D. 60 LGTH. 190 SH. HD.
B		CH		JR	JR	AMA		MANIP 165 PSI @ 450 F
C		CH		JR	JR	AMA		RT - MDMT -20 F @ 165 PSI
D		JPR		JR	JR	AMA		W.T. 3535 CUFT. 294.1
E		JC		JR	JR	AMA		CORR ALW SH HD
F		BS		JR	JR	AMA		EXMT TEST
				JR	JR	AMA		CORR ALW SH HD
				JR	JR	AMA		CODE ASME SEC. VIII DIV. 1
				JR	JR	AMA		PER DATE OF DWG/LAST REV
				JR	JR	AMA		WELD DETAILS: M-1932
				JR	JR	AMA		STD. TOLERANCES (UNLESS OTHERWISE NOTED): M-2461



VERTICAL AIR RECEIVER

CODE/ADDENDA  
RELEASED FOR PRODUCTION  
APPROVED  
DATE

DRAWN BY: C. HAYRE  
DATE: \_\_\_\_\_  
SCALE: NONE  
DRAWING NO.: 302449