

SYM.	A
DATE	EGB
BY	JC
REVISION	AW
	CDH
	JR
	JR
	JC
	B
	C
	D

FIND NO.	NPT SIZE
F1	1 1/2
F2	3/4
F3	1/2
F4	1/4

REVISION

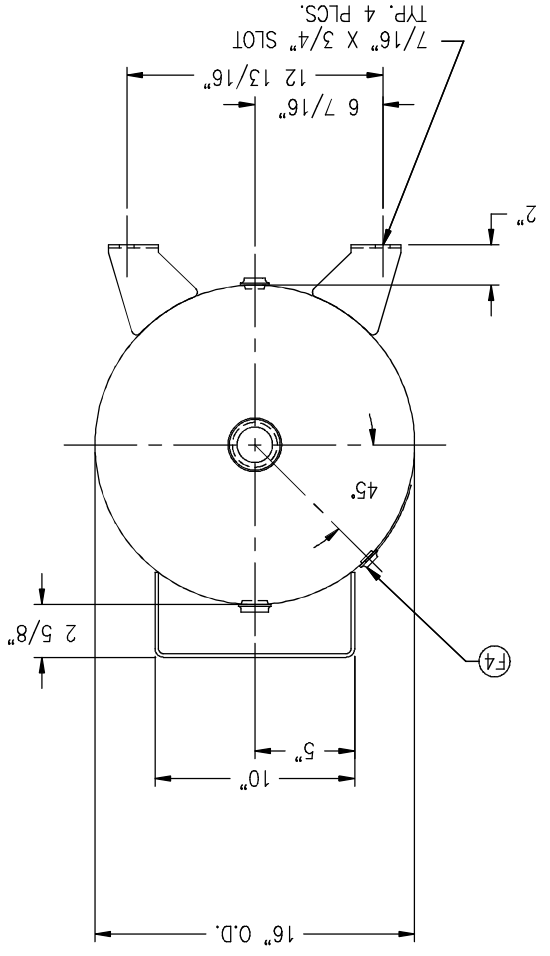
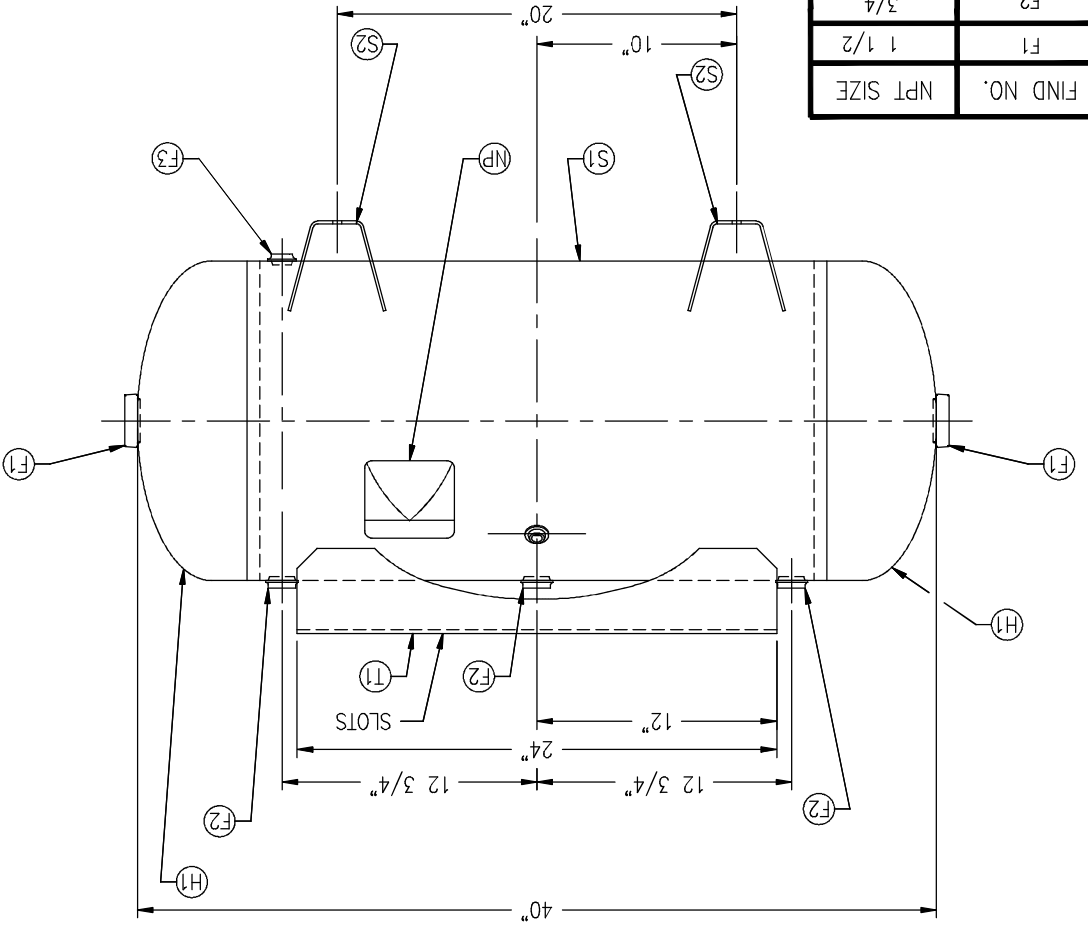
APR. XREF REV.

NOTES

SPECIFICATIONS

WELD DETAILS: M-1932
 STD. TOLERANCES (UNLESS OTHERWISE NOTED): M-2461
 O.D. 16 LGTH. 40
 SH. MAT'L
 MAMP 300 PSI @ 650 F.
 HD. MAT'L
 RT- MDMT -20 F@ 300 PSI
 GAL. 31.1 S.A. 15.0
 EXMT UG20(f) TEST
 CORR ALW SH HD
 W
 GRN H5007.1234567890
 CODE ASME SEC. VIII DIV. 1
 PER DATE OF DWG/LAST REV

HORIZONTAL AIR RECEIVER
 DRAWN BY EGB
 DATE SCALE: NONE
 DRAWTG NO. 302471



7/16" X 3/4" SLOT
 TYP. 4 PLCS.