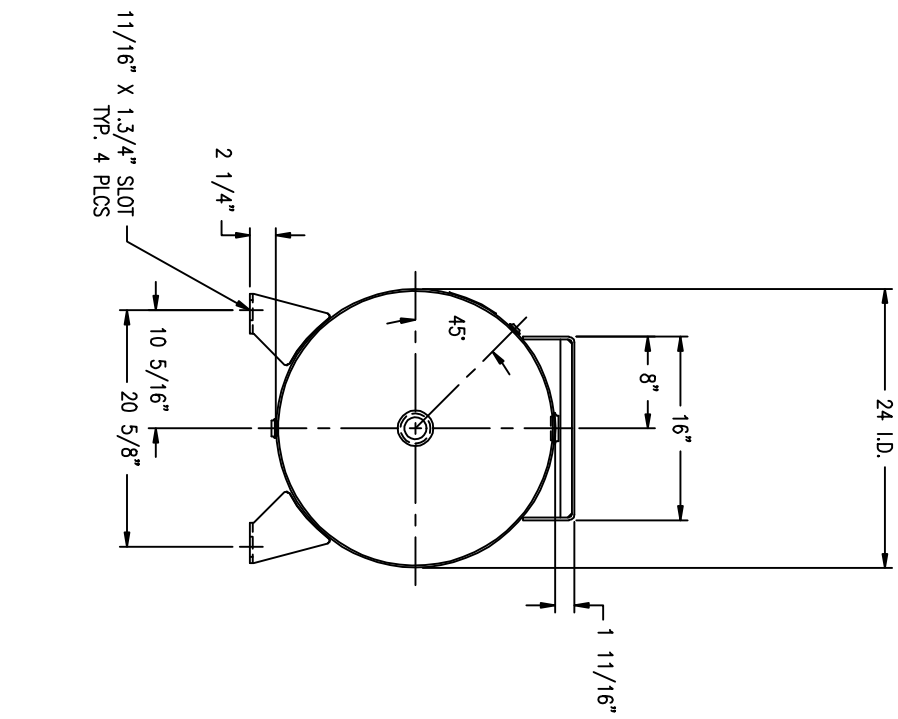
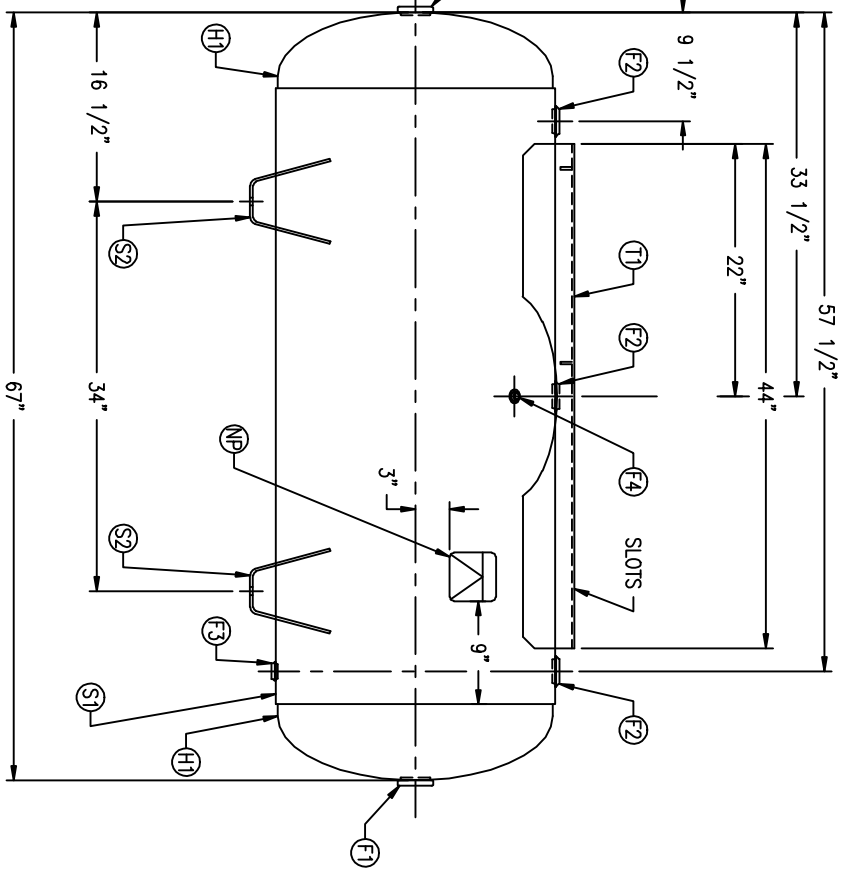


CODE/ADDENDA 2004/2006 APPROVED KM
 RELEASED FOR PRODUCTION
 Q.C. _____ DATE _____

FIND NO.	NPT SIZE
F1	2
F2	1 1/2
F3	3/4
F4	1/4



SYM	DATE	BY	REVISION

APP	XREF	REV

NOTES

SPECIFICATIONS

I.D. 24 LGTH. 67
 MAMP 200 PSI @ 650 °F

CRN E7400.2C
 WELD DETAILS: M-1932
 STD. TOLERANCES (UNLESS OTHERWISE NOTED): M-2461

QAL. 120 S.A. 37.5
 WT. 382# CULFT. 16.0
 CODE: ASME SEC. VIII DIV. 1,
 LATEST EDITION & ADDENDA

DRAWN BY: _____ DATE: _____
 SCALE: NONE
 DRAWING NO. 302480



HORIZONTAL AIR RECEIVER
